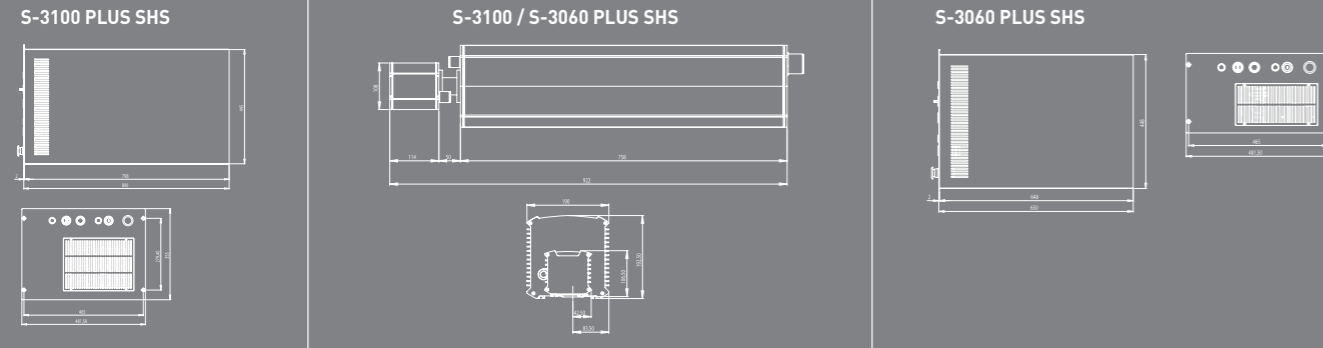
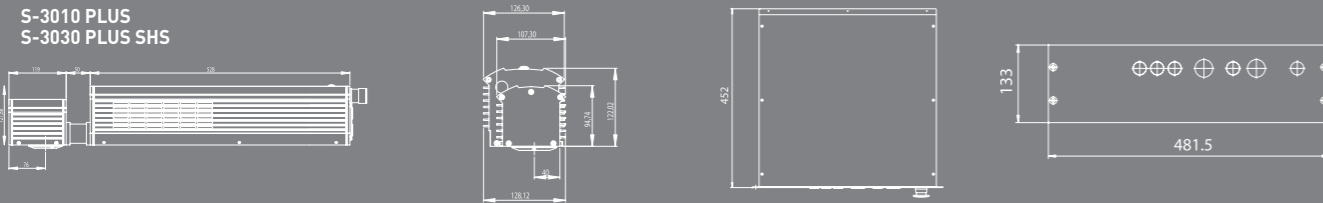


# SERIE S-3000

# LASER MARKING & CODING SYSTEM macsa

# S-3000 LASER SYSTEM



THE S-3000 LASER SYSTEM PROVIDES A FLEXIBLE, ECONOMIC AND EASY INTEGRATION TO A WIDE VARIETY OF MARKING AND CODING REQUIREMENTS.

<b>MODEL</b>	<b>Power</b>		<b>10W</b>	<b>30W</b>	<b>60W</b>	<b>100W</b>
	<b>Wavelength</b>		10,6µ/9,3µ	10,6µ/9,3µ	10,6µ	10,6µ
	<b>Model</b>		S-3010PLUS	S-3030PLUS SHS	S-3060 PLUS SHS	S-3100 PLUS SHS
<b>NOMINAL POWER MARKING HEAD</b>	S-3000 - 10,6 µm	Ss-3000 - 9,3 µm	10W	30W	60W	100W
	CO2 sealed laser tube	CO2 sealed laser tube				
	R.F. technology	R.F. technology				
	Wavelength: 10,6 microns	Wavelength: 9,3 microns				
<b>SYSTEM CABINET</b>			10/30W		60/100W	
			Laser built into the laser tube. Scanners built into the scanning head Power, Control Electronics and computer built into the cabinet		Laser built into the laser tube. Scanners built into the scanning head Power, Control Electronics and computer built into the cabinet	
<b>FOCAL SPECIFICATIONS</b>	WD	Focal Distance	Marking Area	Beam Diameter	Beam Diameter	Beam Diameter
				PLUS	PLUS	PLUS
	85mm	95mm	60x60mm	<160µm -0	<160µm -0	<160µm -0
	115mm	125mm	75x75mm	<220µm -0	<220µm -0	<220µm -0
	190mm	200mm	100x100mm	<350µm -S	<350µm -S	<350µm -S
	230mm	240mm	150x150mm	<420µm -0	<420µm -0	<420µm -0
	310mm	320mm	200x200mm	-	<560µm -0	<560µm -0
	400mm	410mm	250x250mm	-	<720µm -0	<720µm -0
	µm: microns S: Standard O: Optional Built in 90° marking as standard (easily convertible in 0° marking by external elbow)					
<b>USER INTERFACE CONTROL</b>	<ul style="list-style-type: none"> <li>• HAND HELD TERMINAL / TOUCH SCREEN / PC</li> <li>• Hand Held Terminal with ScanLinux software</li> <li>• Touch Screen with ScanLinux software</li> <li>• PC with Full Graphics Interface: includes Marca™ software, protection key and Ethernet cable (TCP/IP)</li> <li>• PC with Marca Lite: includes Marca Lite™ software, protection key and Ethernet cable (TCP/IP)</li> </ul>					
<b>SOFTWARE</b>	<ul style="list-style-type: none"> <li>• ScanLinux from V3.6 and higher</li> <li>• Marca Software from V5.4 and higher</li> <li>• Internal Bar Code</li> <li>• Marca Lite Software</li> <li>• 21 CFR Part 11 Software</li> </ul>					
<b>SPEED</b>	<b>S-3060 PLUS SHS</b>					
<b>PAPER LABEL</b>	<b>Max speed Line (m/min)</b>	<b>Bottles per Hour</b>		<b>GLASS</b>	<b>Max speed Line (m/min)</b>	<b>Bottles per Hour</b>
1 Line / 8 Char.	575	290	245000	124000	195	175
2 Line / 8 Char.	310	140	130000	60000	105	85
3 Line / 8 Char.	190	95	80000	40700	65	55
4 Line / 8 Char.	145	70	60000	30000	50	45
<b>PET Bottle</b>	<b>Max speed Line (m/min)</b>	<b>Bottles per Hour</b>		<b>DATALASE</b>	<b>Max speed Line (m/min)</b>	<b>Bottles per Hour</b>
1 Line / 8 Char.	425	265	182000	113500	705	325
2 Line / 8 Char.	215	130	92100	55700	365	160
3 Line / 8 Char.	145	85	60000	36400	245	105
4 Line / 8 Char.	105	65	45000	27800	180	75
<b>Black - Newpal Font</b>						
<b>Red - Crystal Font</b>						
<b>ACCESSORIES</b>	Diode marking area indicator - Encoder kit - Mounting support - Photocell kit					
<b>ENVIRONMENTAL CONDITIONS</b>	15° C [59° F] to 40° C [104° F] external temperature Humidity < 95% non-condensing No vibrations					
<b>MAIN SUPPLY</b>			115V / 230 V 50/60 Hz (1 Phase + N) 330VA	115V / 230 V 50/60 Hz (1 Phase + N) 660VA	115V / 230 V 50/60 Hz (1 Phase + N) 1760VA	115V / 230 V 50/60 Hz (1 Phase + N) 2860VA
<b>DIMENSIONS</b>	<b>Head</b>	114mm x 108mm x 106mm				
	<b>Tube</b>	633mmx108mmx129mm	643mmx190mmx192mm	758mmx190mmx192mm		
	<b>Rack</b>	481mmx133mmx453mm (19"x3Ux453mm)		481mmx266mmx650mm (19"x6Ux650mm)	481mmx355mmx800mm (19"x8Ux800mm)	
<b>WEIGHT</b>		Net Weight: 30 Kg Gross Weight: 35 Kg	Net Weight: 45 Kg Gross Weight: 50 Kg	Net Weight: 71 Kg Gross Weight: 86 Kg	Net Weight: 86 Kg Gross Weight: 101 Kg	



MACSA ID, SA  
Girona, 46-48 · 08242 Manresa (Barcelona)  
SPAIN · PO BOX 383  
Tel: + 34 93 873 87 98 · Fax: + 34 93 874 11 56  
macsa@macsa.es www.macsaser.com

